

IF IN DOUBT ASK  
DO NOT SCALE

NOTES

- 1) TERMINALS RECOMMENDED ARE PRE-INSULATED & MUST BE CRIMPED USING APPROVED TOOLING. AMP PIDG OR PLASTI GRIP FUNNEL ENTRY (RING TONGUE) FOR M4 FIXING STUD.

SUPPLIER	PART NUMBER	CABLE SIZE
AMP	342103	0.25-1.6mm <sup>2</sup>
AMP	342143	1.0-2.6mm <sup>2</sup>

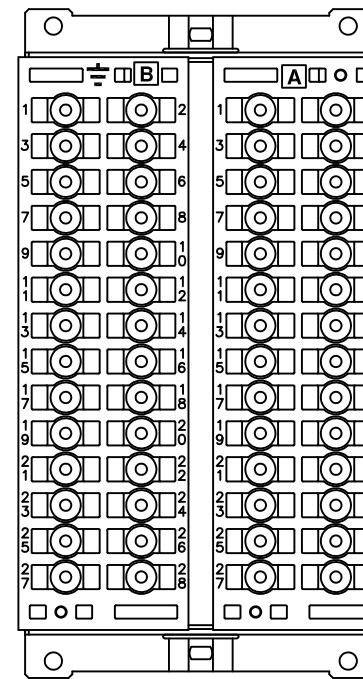
OR ANY OTHER MANUFACTURERS EQUIVALENT TERMINAL.

- 2) FOR OUTLINE & PANEL DRILLING, SEE 2995X10004 (A4).

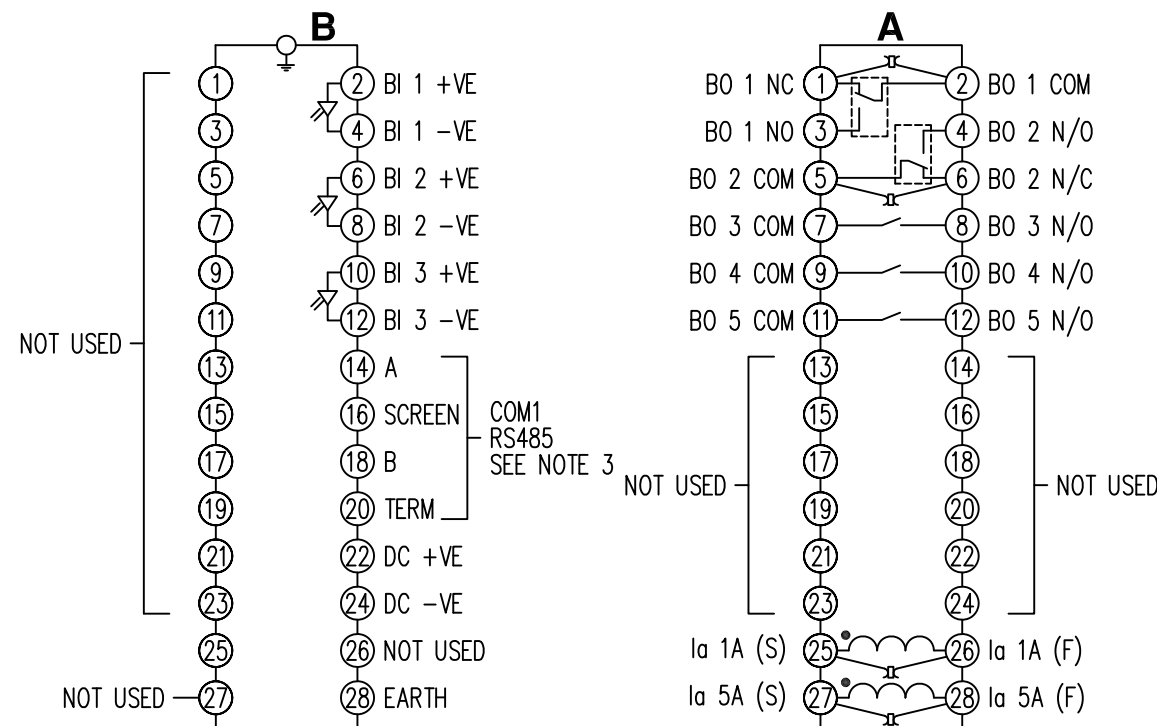
- 3) CONNECTIONS TO THIS COMMUNICATIONS FACILITY IS BY SCREENED, TWISTED PAIR CABLE, ON SITE. WHEN WIRING OTHER FACILITIES ENSURE THAT THESE TERMINALS ARE NOT OBSCURED BY OTHER WIRE RUNS.

- 4) CONTACTS SHOWN THUS  ARE INTERNAL RELAY CASE ASSEMBLY CONTACTS AND CLOSE WHEN THE RELAY CHASSIS IS WITHDRAWN FROM THE CASE.

- 5) FOR THE RELAY CASE ASSEMBLY SEE 2436G40001




RELAY VIEWED FROM REAR



ABBREVIATIONS	
I-	CURRENT INPUTS
BI-	BINARY INPUTS
BO-	BINARY OUTPUTS
CO-	CHANGE OVER BINARY OUTPUT CONTACTS
NO-	NORMALLY OPEN BINARY OUTPUT CONTACTS
NC-	NORMALLY CLOSED BINARY OUTPUT CONTACTS

COMMUNICATIONS IDENTIFICATION	
COM1	RS485 (ON BLOCK 'B' TERMINALS 14,16,18 & 20)
COM2	USB TYPE 'B' PORT (ON RELAY FRONT LABEL)

NOT SUBJECT TO UPDATE  
ONCE COPIED / PRINTED  
OR DOWNLOADED

3 RDW	12.12.08	TERM. A9 WAS BI 4 COM TERM. A11 WAS BI 5 COM MN436/3047 KB
2 RDW	20.11.08	MN436/3035 KB
1	04/08/09	CHANGE
ISSUE	DATE	NOTED 

MATERIAL:

Dimensions in millimetres ; Surface texture in micrometres.  
Machine where marked   
For explanation of dimensions, tolerances, notes etc. see B.S.308.  
Limit on untoleranced unmachined dimensions ± \_\_\_\_\_  
Limits on untoleranced machined dimensions to B.S.4500;  
i.e. up to 6±0.1; over 30 to 120±0.3; over 315±0.8;  
over 6 to 30±0.2; over 120 to 315±0.5;  
General unmachined angular tolerance ± \_\_\_\_\_

Finish:

Treatment:

Title:

TERMINAL ID & WIRING DIAGRAM FOR RC PLATFORM  
TYPE 7SR11, 1CT+3BI+5BO(2CO+3NO)

**SIEMENS PROTECTION DEVICES LTD.**

Original Scale.

NTS

First used on:

Similar Articles:

Supersedes:

Drq. No.

2436W40001